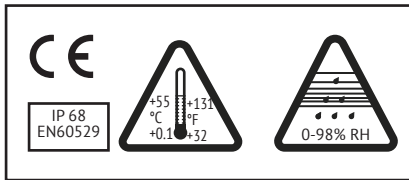
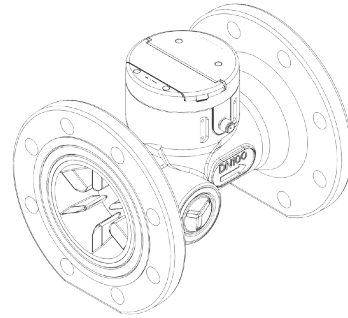


Superaqua 5

Ultrasonic Water Meter
Ultraschall-Wasserzähler
Compteur d'eau à ultrasons
Contatore d'acqua ad ultrasuoni

Installation guide
Montageanleitung
Instructions de montage
Istruzioni di montaggio



i

R50

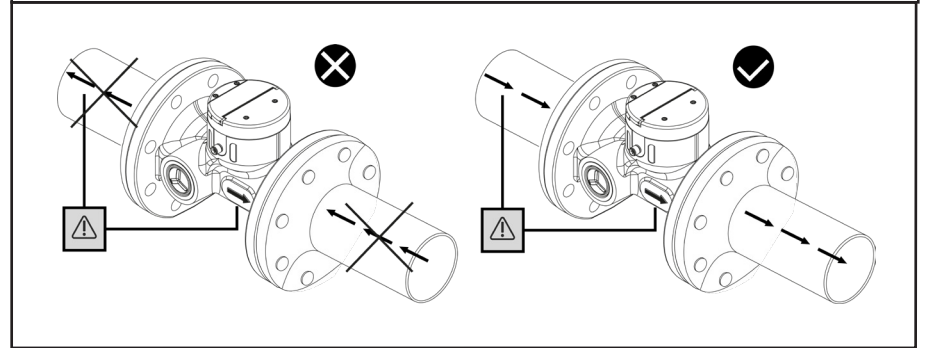
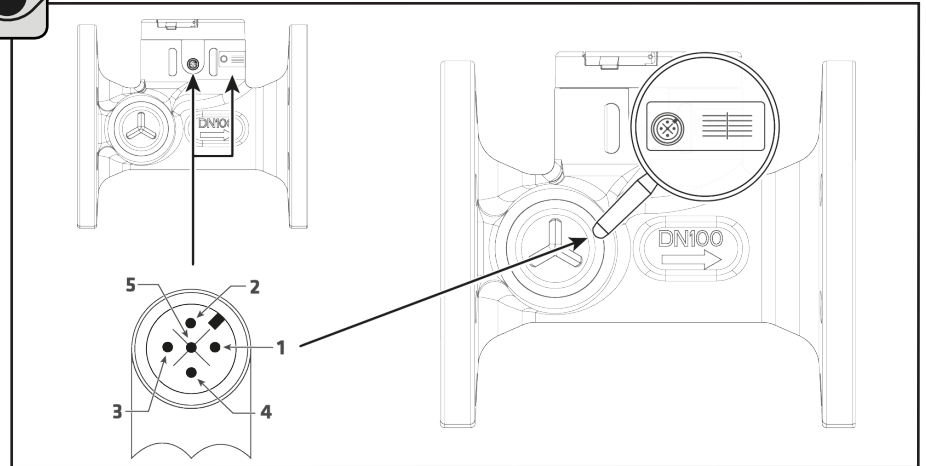
i

1 YEAR Storage max.

max. +70°C / 158°F min. -20°C / -4°F

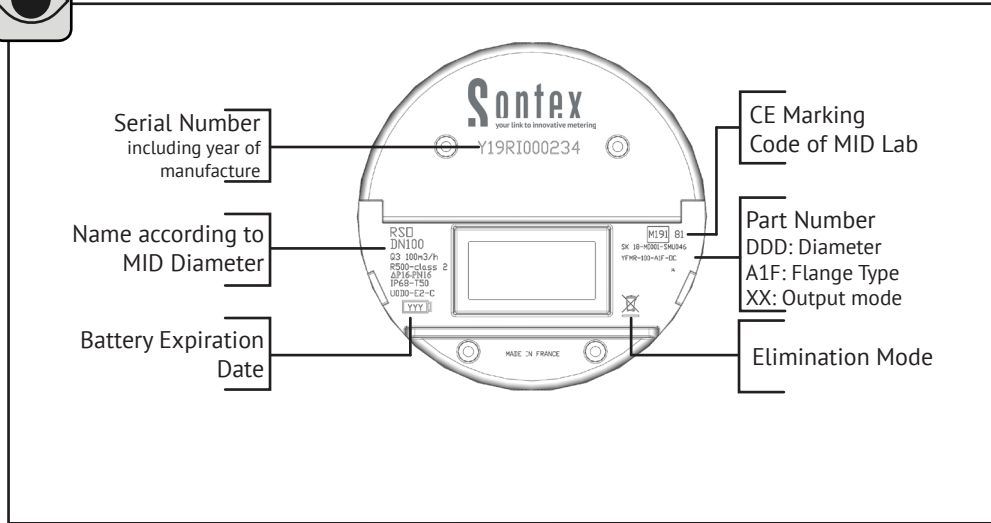
⚠ 2 weeks of storage max. at T>35 °C / 95 °F

Torque: min. 30 N.m, max. 50 N.m



ParamApp®

GET IT ON Google Play



www.sontex.com



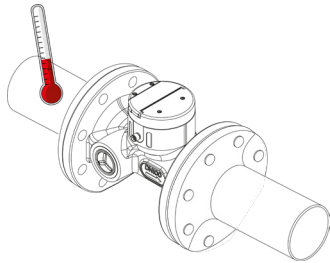
Sontex France SAS
18 Avenue Escadrille Normandie-Niemen |
31700 Blagnac | France
Tel. +33 561 11 23 56

Guidelines:

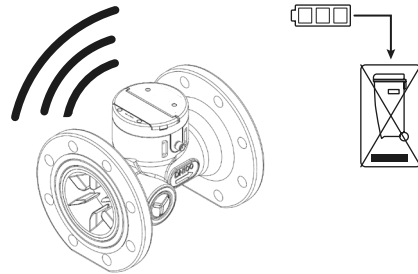
- Installation in vertical and horizontal positions possible
- Limit the installation depth to guarantee good communication
- No objects should be placed on the meter
- The meter must not be installed on the ground
- No holding by the housing of the meter during the installation
- Once installed, the valve installed before the meter (if any) must be fully opened



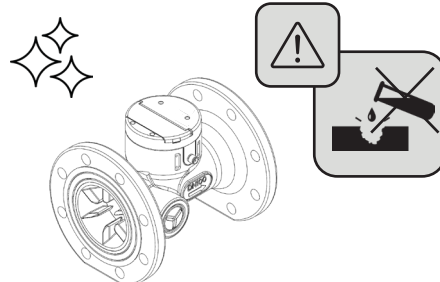
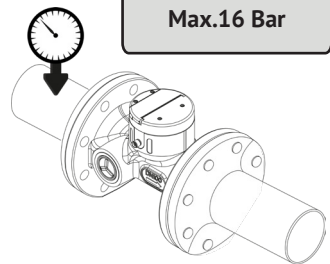
Max. 55 °C / 131 °F
Min. 0.1 °C / 32 °F



16 Years of Battery Life



Max.16 Bar



Scan the QR code below to view the EU Declaration of Conformity (DoC):
www.sontex.com

